

Long Range Retro-Reflective Photoelectric Beam

Polarised retro-reflective photoelectric beam

Features

- Long range beam, 10 metres
- Input Voltage 12 - 250V AC/DC
- Polarised retro reflective type
- Polycarbonate casing
- Optional cover for reflector, HD-15
- Rugged design (IP-66)
- LED indicator beam alignment
- Tamper switch



Application

- Sliding Gates, Swing Gates or Garage Doors
- Overhead Doors, Conveyers or Door Entrance
- Boom Gates, Alarm System or Warehouse Monitoring

PE1500

Description

The PE1500 is a polarised ultra sensitive, long range, retro-reflective photoelectric beam. The sensor module uses a modulated beam which stops interference from the. It works with any Elsema type automatic gate or door controller cards used on sliding, swing or roller doors. It is used as a safety device to control automatic gates and doors.

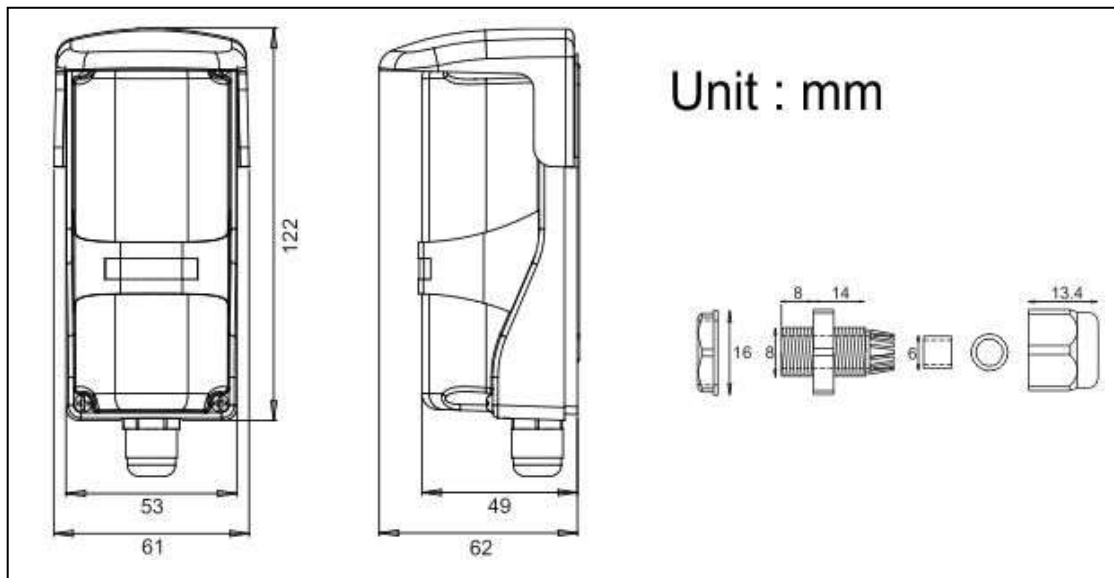
Optional HD-15 hood for the reflector is recommended for outdoor installation.

Technical Data

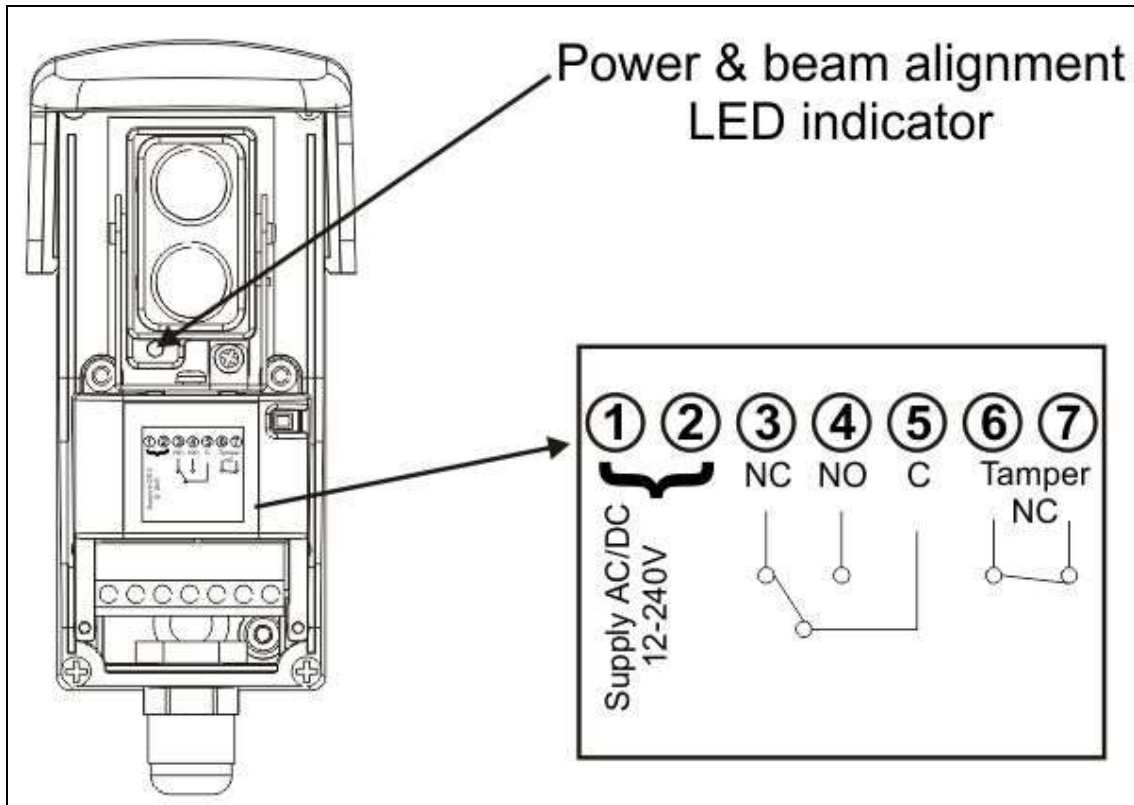
Power Source	12 to 250 Volts AC/DC
Standby	19mA at 24Volts DC
Response Time	10 millisecond
Connection	Plug in type terminal block
Additional feature	Normally closed (NC) Tamper output.
Operating Temperature	-20°C to 60°C
Relay Output	Common, Normally Open or Normally Close: 0.5 Amps / 120VAC
Sensing Range	10 metres. Range will be reduced in bad weather, fog, dust etc.
Dimensions	122 (L) x 61(W) x 62(D) mm.

LED Status

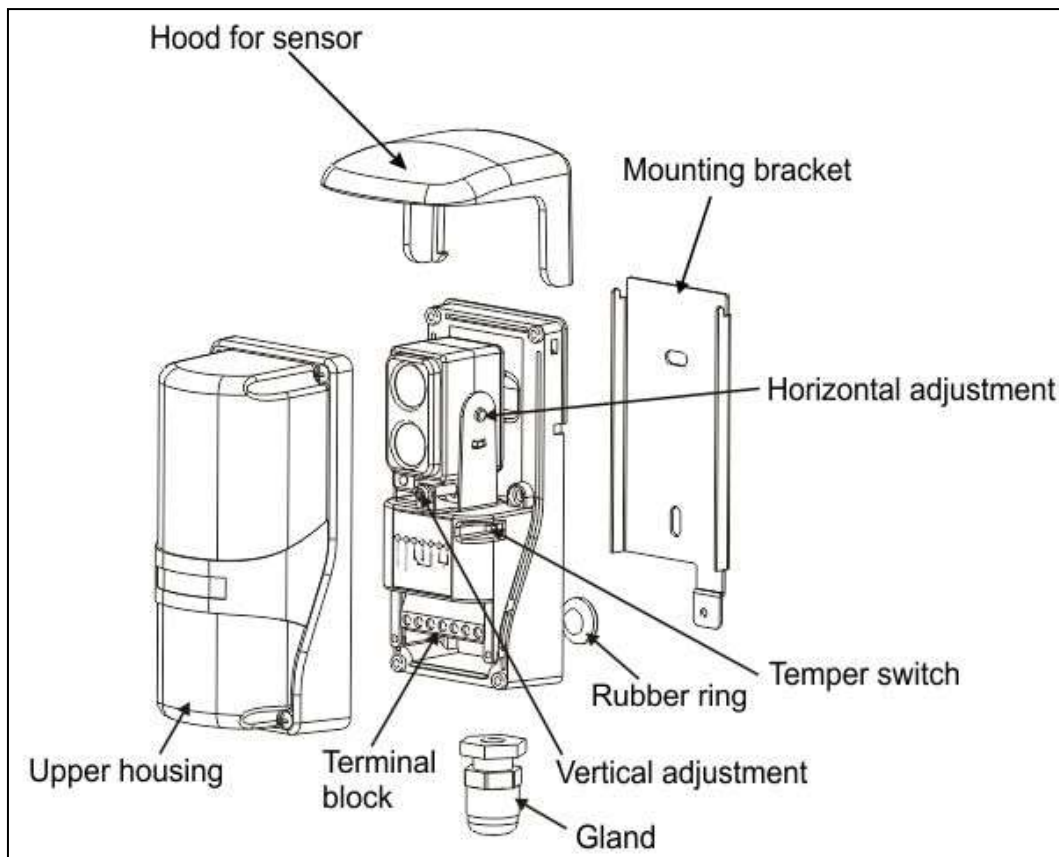
LED Status	Red	Green
On	Beam is broken	Beam is properly aligned
Off	Beam is aligned	xx
Flashing	Beam alignment poor	xx

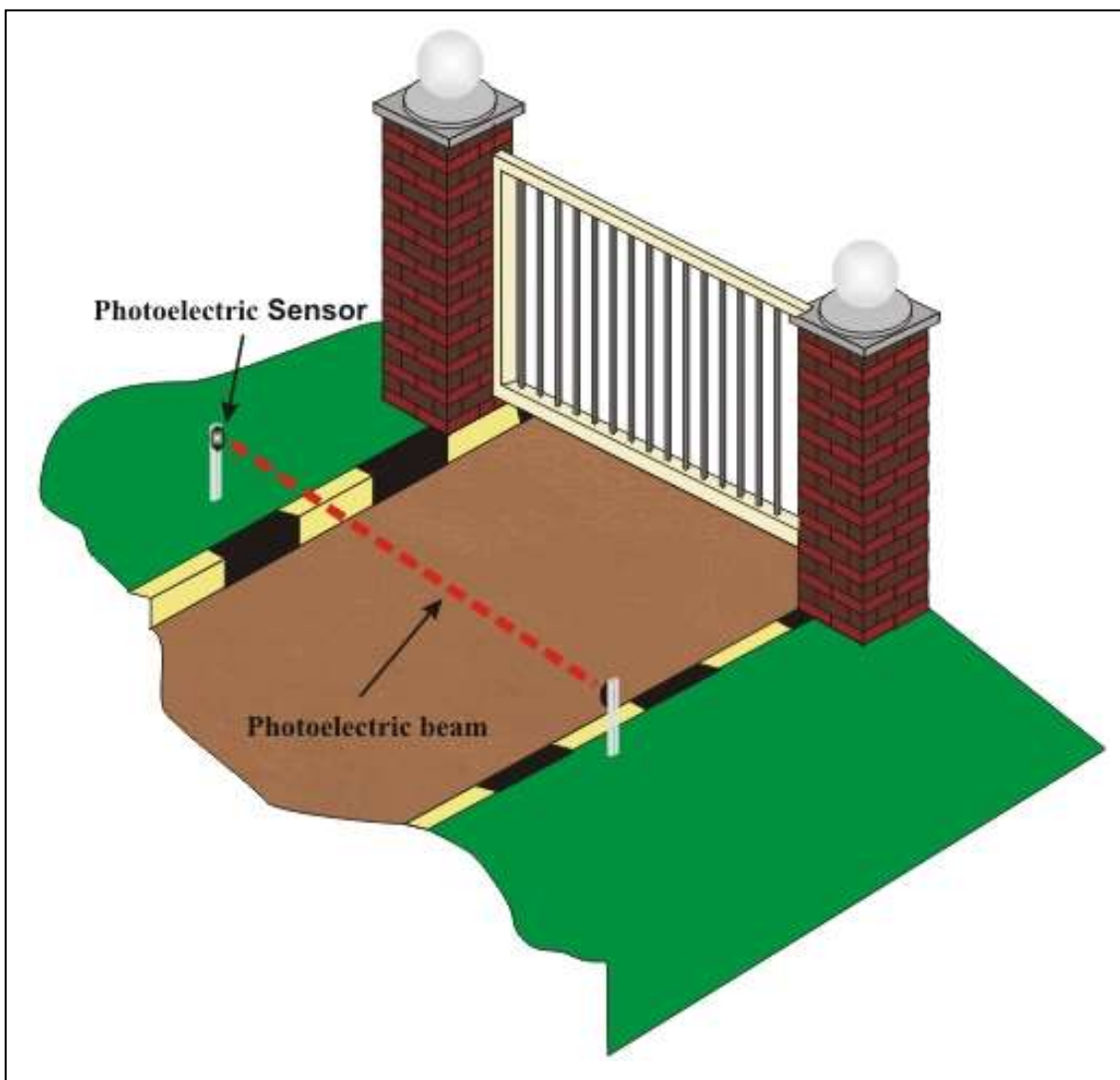
AccessoryReflector Hood. Part number **HD-15****PE1500 Dimensions**

PE1500 Wiring Diagram



PE1500 parts



PE1500 Application**Manufactured by****Elsema Pty Ltd**

31 Tarlington Place, Smithfield

NSW 2164, Australia

Ph: 02 9609 4668

Website: <http://www.elsema.com>**Distributed by**