

# Magnetic lock for automatic sliding and swing gates.

Elsema part No: ML500

## Features

- Dual Voltage. 12/24VDC User selectable.
- For outdoor use
- Holding Force up to 500KG/1200lbs
- Corrosion free
- No noise
- No magnetism during power failure
- Built-in Voltage spike suppressor



## Application

- Sliding gates or swing gates
- Overhead doors or door entrance

## Description

The ML500 is an electromagnetic lock which is designed to hold up to 500Kg force. The ML500 magnetises when 12/24VDC is applied to the supply wires. The ML500 is ideal for installation on automatic sliding or swing gates, doors etc.

The lock can be mounted directly or with the L bracket supplied. It must be rigidly mounted to the gate post. The armature is designed to pivot slightly to compensate for reasonable misalignment.

Due to the wide diversity of gate designs custom mounting brackets may be necessary to facilitate the installation.

L-Z bracket can be used to accommodate the majority of gate and door applications. The lock is mounted to the vertical gate post. The armature is mounted to the leading edge of the gate.

## Technical Data

<b>Power Source</b>	12 Volts DC	24 Volts DC
<b>Operating Current</b>	500mA	250mA
<b>Holding Force</b>	500Kg, 1200lbs.	
<b>Output</b>	Reed switch output: COM, NO, NC. Rated at 500mA at 30VDC/AC	
<b>Connections</b>	Striped wire	
<b>Shipping Weight (Including brackets)</b>	4500 grams	
<b>Dimensions</b>	<b>Lock</b>	220 x 70 x 50mm
	<b>Armature</b>	185 x 61 x 16mm

**Input Voltage selection/ Output**

**12VDC** : Connect Black and Blue wires together for negative (-12VDC)

: Connect Red and Green wires together for positive (+12VDC)

**24VDC** : Connect Green and Blue together and supply 24VDC to Red and Black wires.

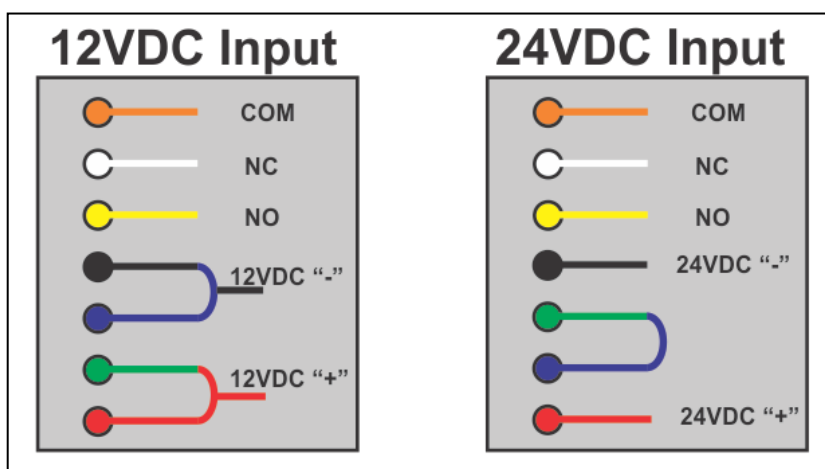
Red for positive and black for negative.

**Reed switch output (indicates when the armature is engaged with the magnet)**

Common: Orange

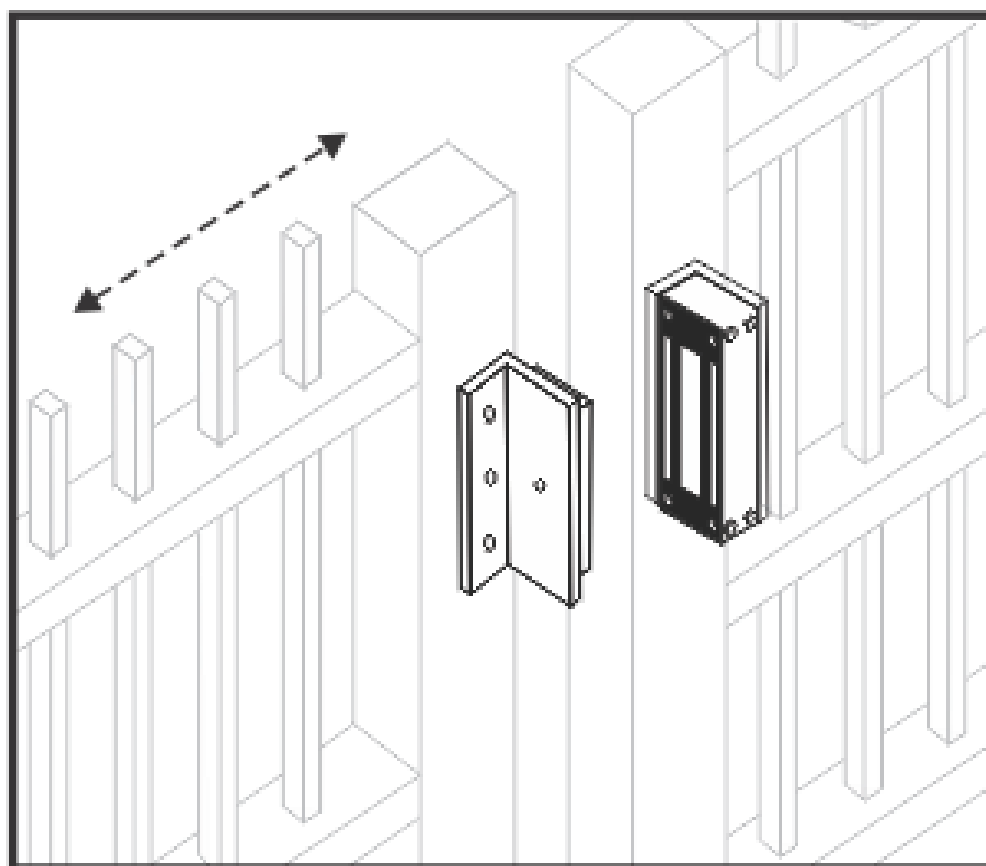
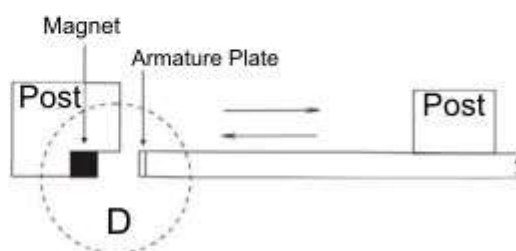
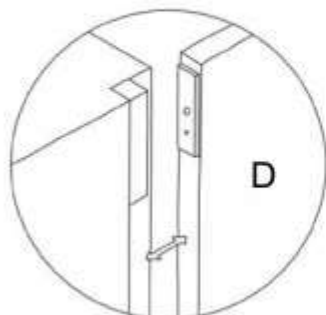
Normally Closed: White

Normally Open: Yellow

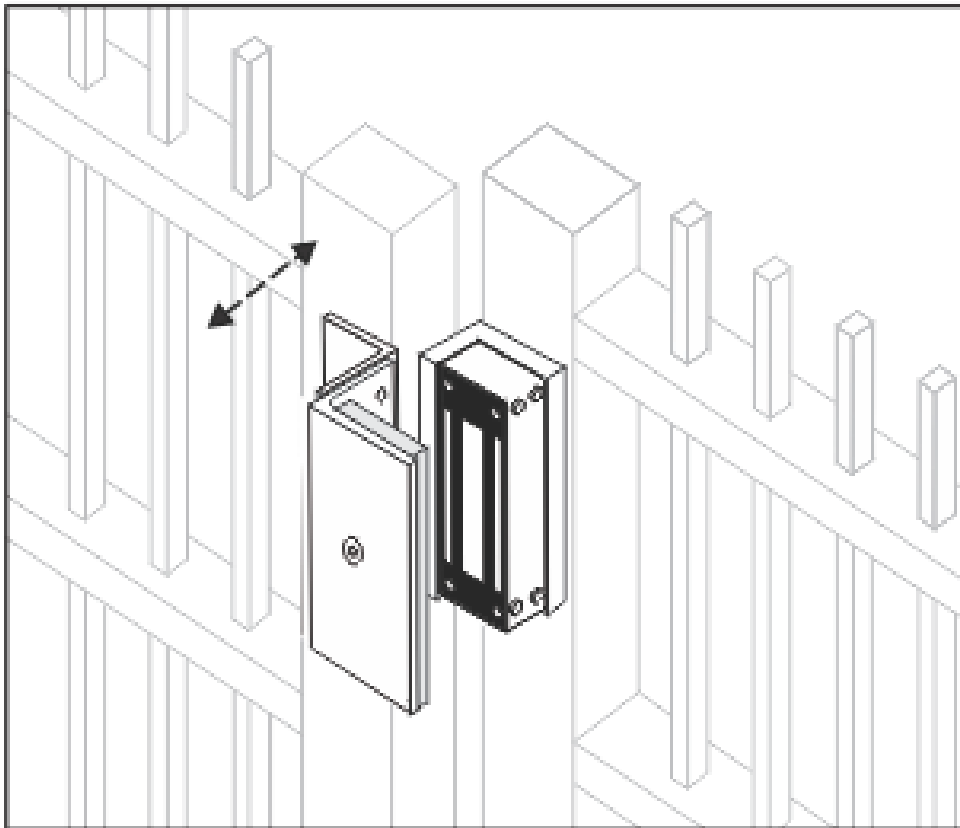
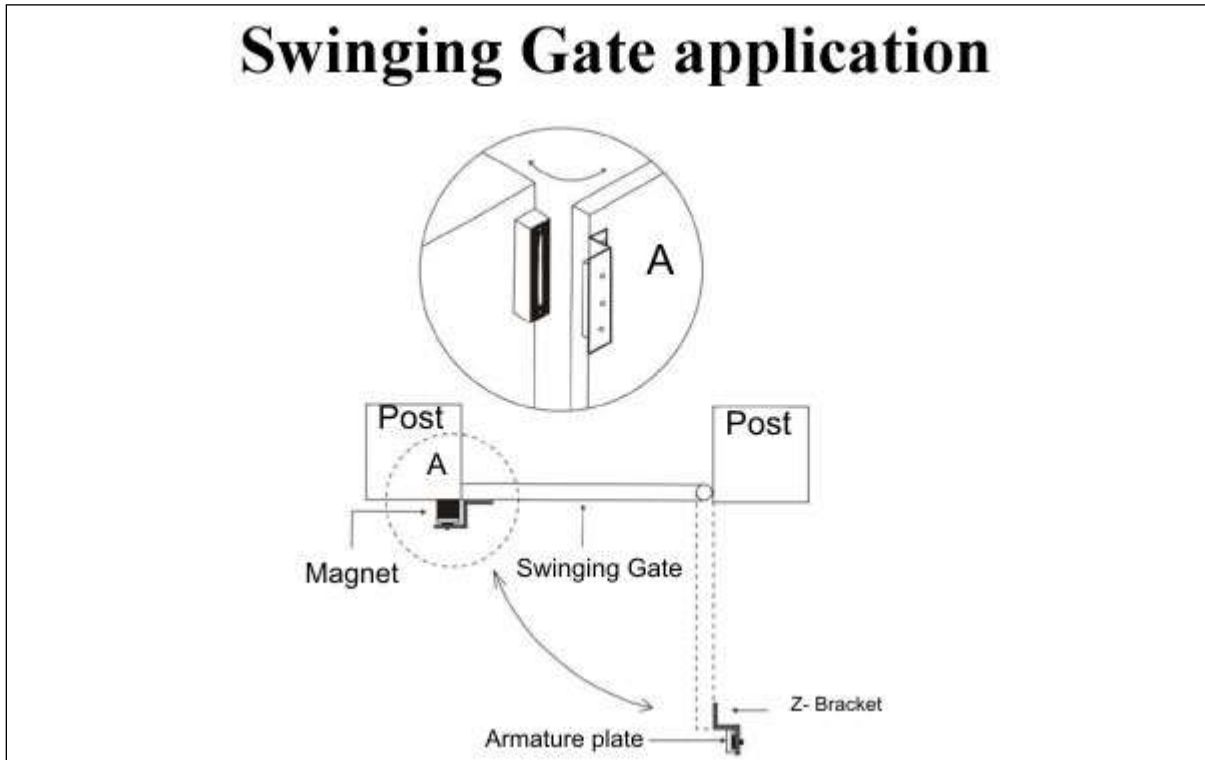


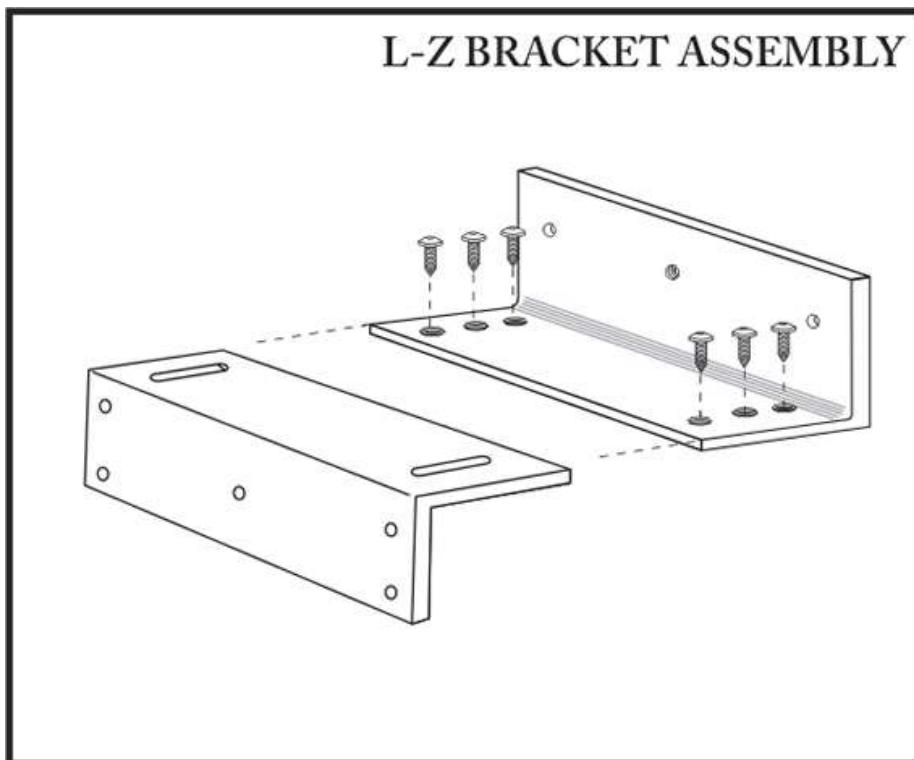
**Typical Installations for gates**

# **Sliding Gate application**



## Swinging Gate application



**L-Z Bracket Assembly****Manufactured by**

**Elsema Pty Ltd**  
31 Tarlington Place, Smithfield  
NSW 2164, Australia  
Ph: 02 9609 4668  
Website: <http://www.elsema.com>