

Magnetic lock for automatic sliding and swing gates.

Elsema part No: ML280

Features

- Dual Voltage. 12/24VDC User selectable
- For outdoor use
- Holding Force up to 280KG/800lbs
- Corrosion free
- No noise
- No magnetism during power failure
- Built-in Voltage spike suppressor



Application

- Sliding gates or swing gates
- Overhead doors or door entrance

Description

The ML280 is an electromagnetic lock which is designed to hold up to 280Kg force. The ML280 magnetises when 12/24VDC is applied to the supply wires. The ML280 is ideal for installation on automatic sliding or swing gates, doors etc.

The lock can be mounted directly or with the L bracket supplied. It must be rigidly mounted to the gate post. The armature is designed to pivot slightly to compensate for reasonable misalignment.

Due to the wide diversity of gate designs custom mounting brackets may be necessary to facilitate the installation.

L-Z bracket can be used to accommodate the majority of gate and door applications. The lock is mounted to the vertical gate post. The armature is mounted to the leading edge of the gate.

Technical Data

Power Source	12 Volts DC	24 Volts DC
Operating Current	500mA	250mA
Holding Force	280Kg, 800lbs.	
Output	Reed switch output: COM, NO, NC. Rated at 500mA at 30VDC/AC	
Connections	Striped wire	
Shipping Weight (Including brackets)	2800 grams	
Dimensions	Lock	220 x 45 x 30mm
	Armature	160 x 45 x 12mm

Input Voltage selection/ Output

12VDC : Connect Black and Blue wires together for negative (-12VDC)

: Connect Red and Green wires together for positive (+12VDC)

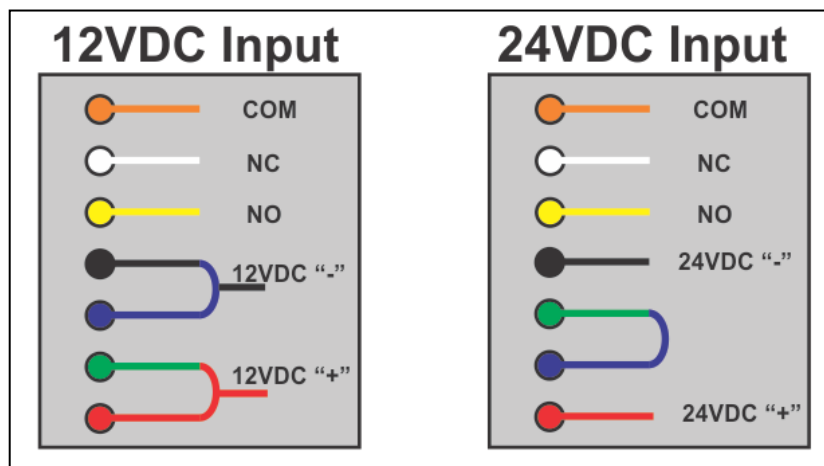
24VDC : Connect Green and Blue together and supply 24VDC to Red and Black wires. Red for positive and Black for negative.

Reed switch output (indicates when the armature is engaged with the magnet)

Common: Orange

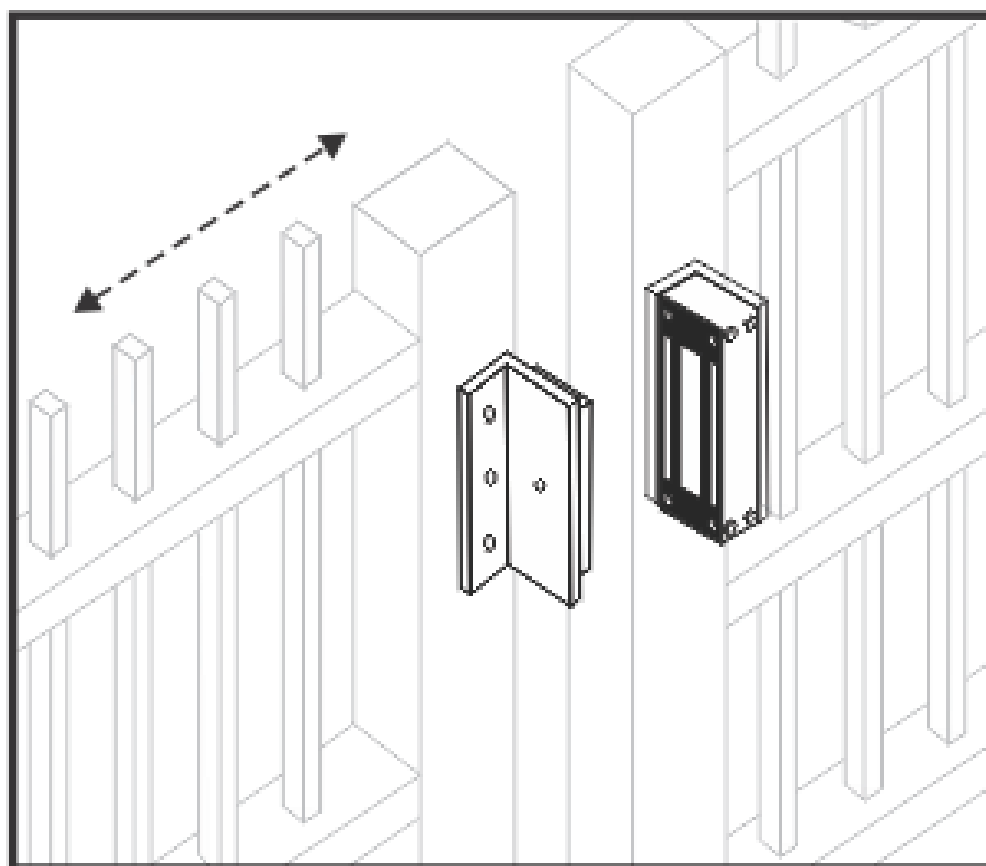
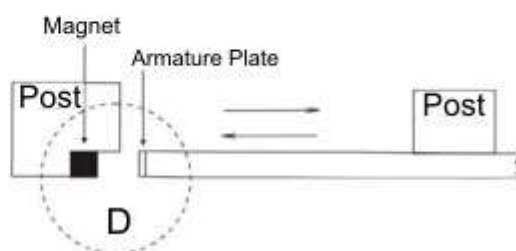
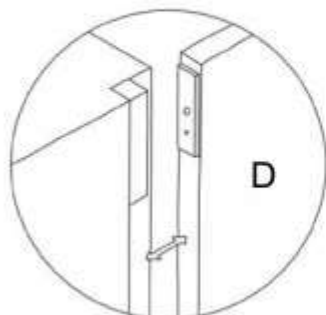
Normally Open: Yellow

Normally Closed: White

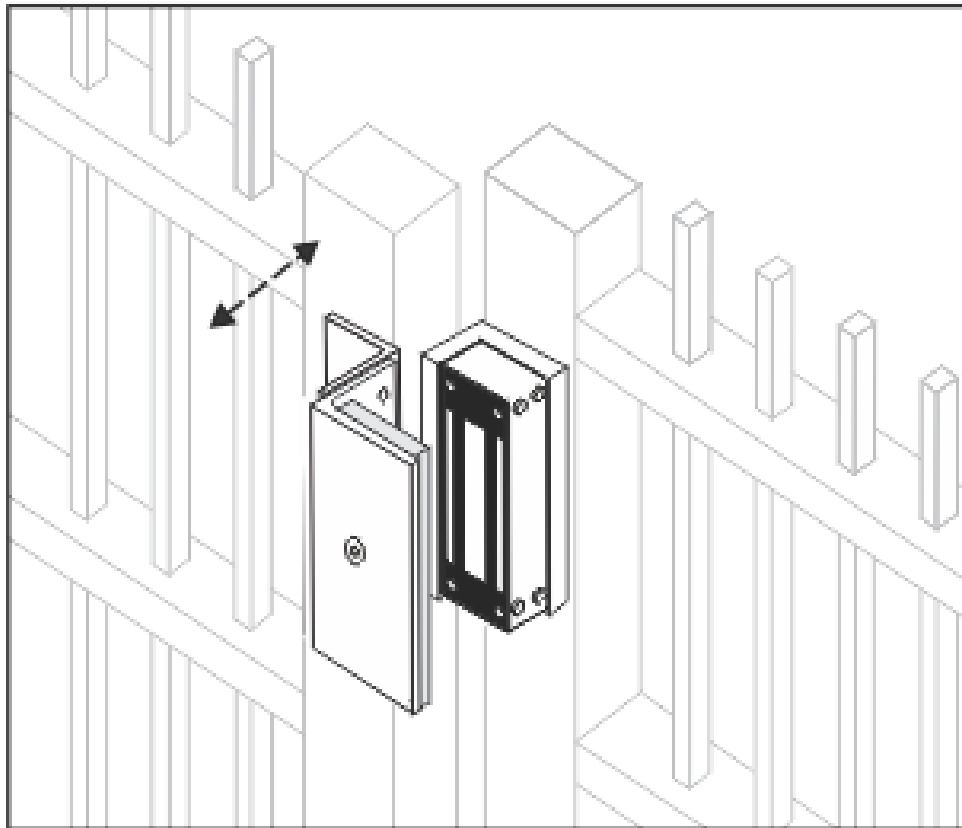
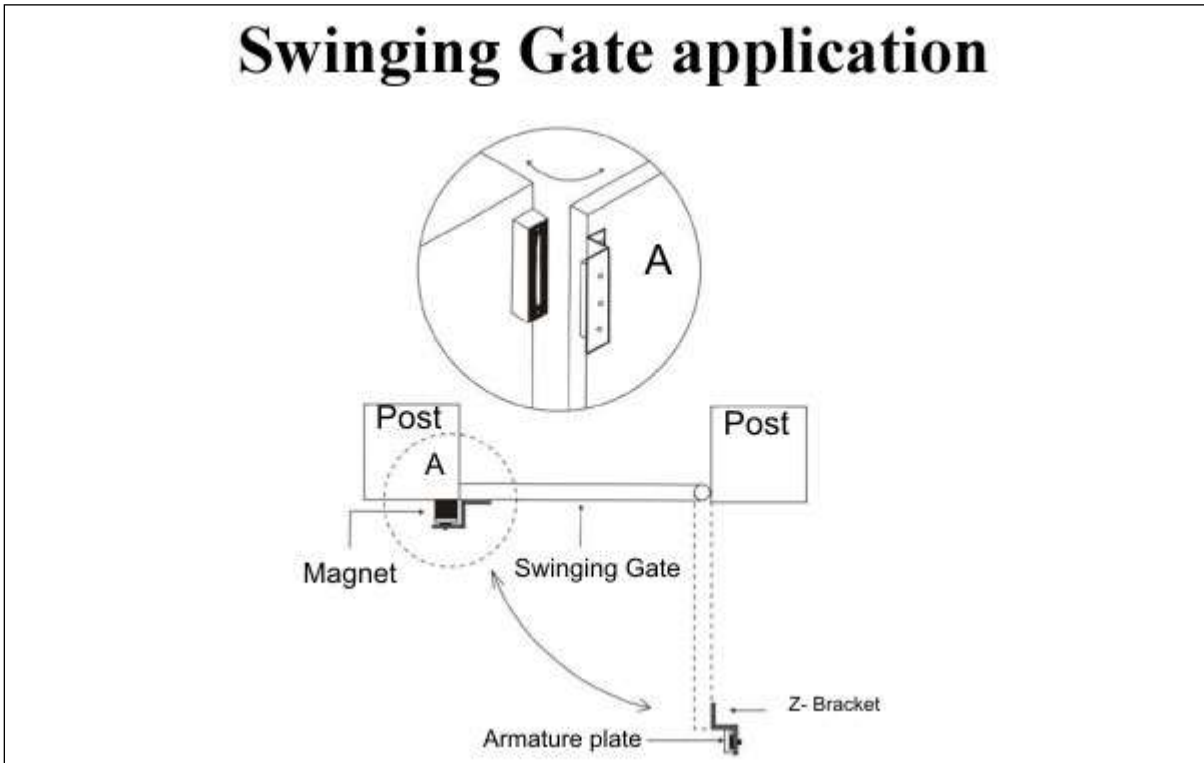


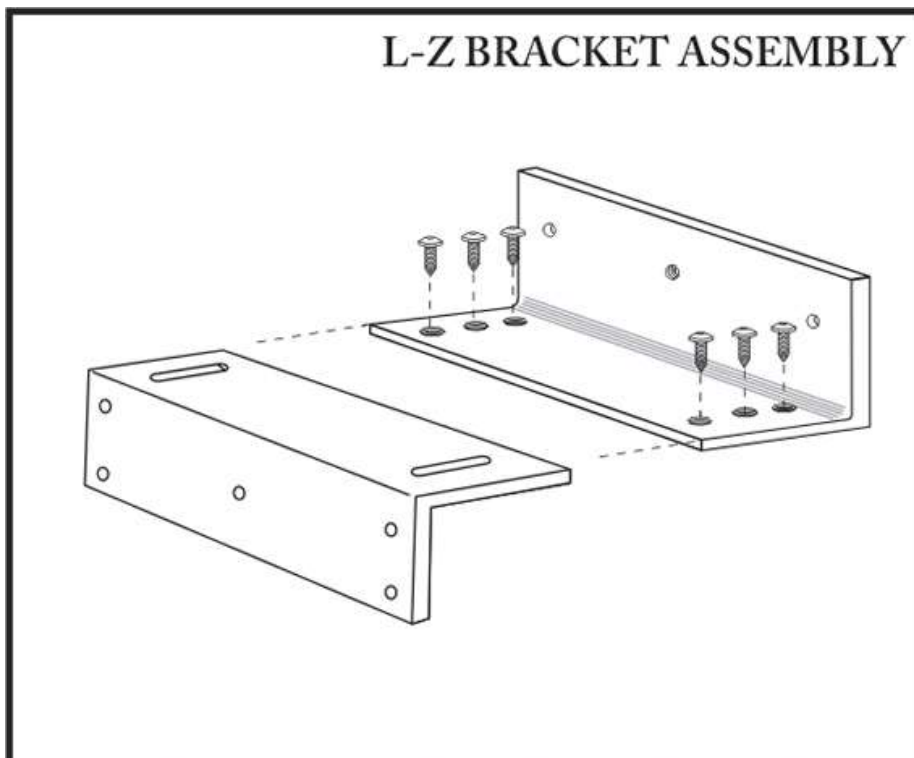
Typical Installations for gates

Sliding Gate application



Swinging Gate application



L-Z Bracket Assembly**Manufactured by**

Elsema Pty Ltd
31 Tarlington Place, Smithfield
NSW 2164, Australia
Ph: 02 9609 4668
Website: <http://www.elsema.com>