

iS250 Solar Kit

24 Volt motor, Suitable for gates up to 2.5 metres and 300kg



SOLAR SWING GATE OPENERS



-) Cost effective solution for automation of swing gates
-) Uses Elsema's MC card with Eclipse® operating system
-) Bluetooth Smart built-in
-) Real-time battery charging data
-) Mechanical stopper built in the motor for added protection. No stoppers required on your driveway
-) Waterproof cover design
-) Soft start and soft stop
-) Easy installation



Die-cast aluminum cover. Maximum protection against environment



Manual release located on the bottom side of the motor



Strong and reliable worm shaft. Easy installation



STRONG AND DURABLE MOTOR FOR SWING GATES

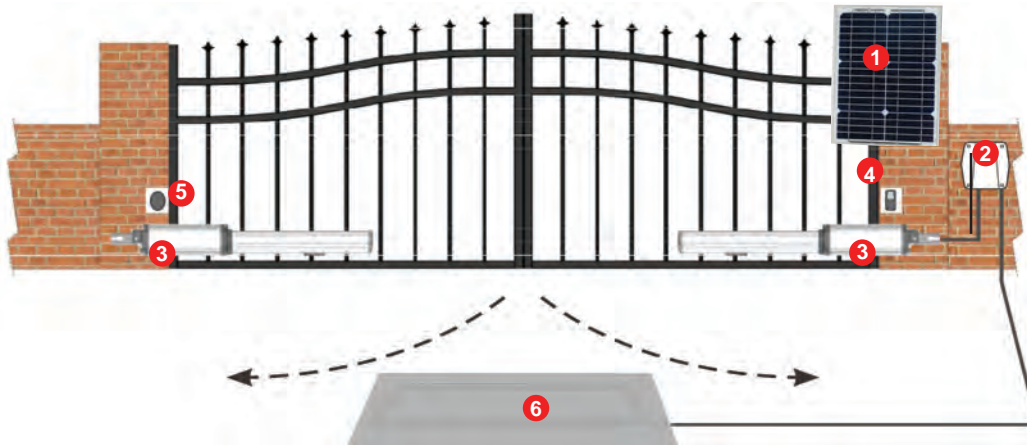


Search for VictronConnect in App store

TECHNICAL DATA

Motor voltage	24 Volts DC
Max gate weight	300kg
Max gate length	2.5 metres
Peak thrust	3000N
Operation stroke	500mm
Typical gate opening time	15-20sec
Duty cycle	20%
Operating temperature	-20°C~50°C

Typical installation



- | | |
|---|----------------------------|
| 1 | Solar Panel |
| 2 | Intelligent control box |
| 3 | iS250 motor |
| 4 | PE1500 photo electric beam |
| 5 | Reflector for PE1500 |
| 6 | Vehicle detector |

Kit contents



Control card, Solar panel,
Battery & Regulator with MPPT



iS250D dual swing motors with
built-in stopper

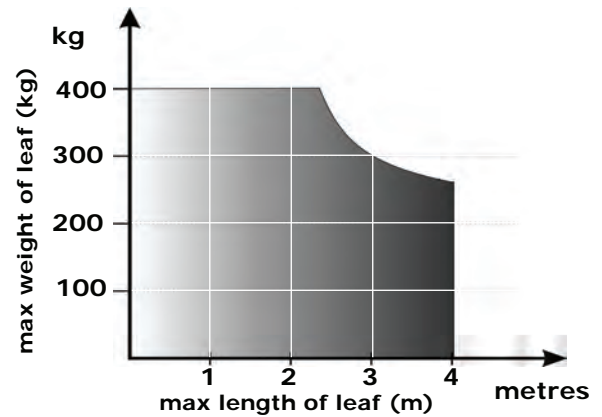
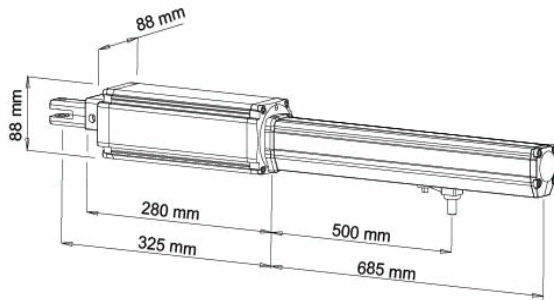


3 x Keyring remotes
with frequency hopping



Long range reflector type
photo electric beam

Dimensions



Ordering Code

PART NUMBERS	DESCRIPTION
iS250DSolar	Dual swing motor kit
iS250Solar	Single swing motor kit



High Voltage

Single 24V, 40Watt Solar
panel included in the kit