

GLR43303, GLR43304

Multi-Channel 433MHz Gigalink Receiver

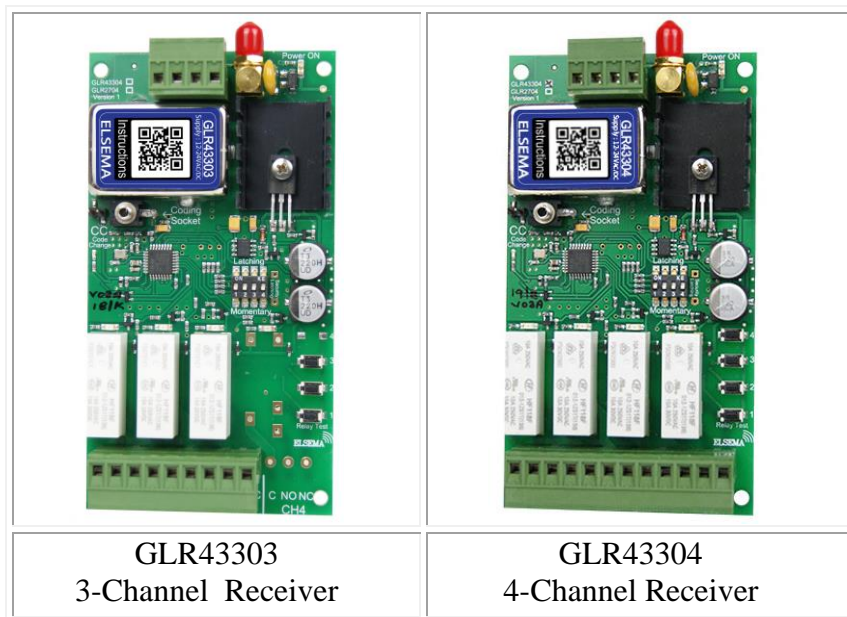
Features

- Supply voltage can be 12 – 24 Volts AC or DC
- Highly sensitive receiver input stage. When used with GLT433.... Series transmitters and an ANT433S antenna, an operating range of 350 metres (980 ft) is possible.
- Three or four relay outputs. All outputs can be operated simultaneously.
- Crystal controlled for high stability and performance.
- Uses micro-controller technology that can be re-programmed to suit unique applications.
- Momentary, latching and security latching output modes is user selectable.
- Power ON LED indicator.
- Test buttons for relay.



Applications

- Automatic gates, security, timer controlled outputs and simple on/off functions



Description

The GIGALINK™ is the most advanced Remote Control technology available in the world today. GIGALINK™ is an invention that has revolutionised the entire Remote Control technology including Elsema's earlier version of FMT- ... and FMR- ... series. The GLR.... series state-of-the-art invention brings a new dimension in the world of Remote Control technology in domestic, commercial and industrial applications.

The innovative microcontroller technology replaces the traditional dip switch coding which eliminates any possible code grabbing. Special features such as over four billion code combinations, ability to program any number of transmitters to any of the receiver outputs, four user selectable modes, dual conversion superhet and operational over a wide voltage range all adds up to the most advanced and secure Remote Control available.

The multi channel receivers are available with three or four channels.

Four billion codes

The user can easily change the code on all the channels. Momentary joining the two CC pins on the receiver board sets all channels to one random code.

Code Programming

For code programming, please refer to the separate programming instructions.

The receiver power must be connected when single or channelised code programming. When programming is completed and the GIGALINK cable is removed from the multi channel receiver-coding socket, the 4-way dip switch is used to select different output modes. This is described below.

Output Modes

Relay output on the receiver can function in either momentary or latching mode. By default the mode is set to momentary. Modes selectable from the 4-way dipswitch. Dipswitch 1 corresponds to relay channel 1 and dipswitch 2 corresponds to relay channel 2 and so on.

Factory Default = Momentary

Momentary - Output is active for as long as the transmitter button is pressed.

This is a standard mode on most automatic gates or garage door openers.

Latching - Output remains active until next press of the transmitter button.

Similar to switching "on" and "off" a light.

Security - Output remains active until power to the receiver is removed. Similar to security alarms

Latching and fire alarms. To activate the security latching mode, a link needs to be soldered into the hole marked as latching.

Customised Software

Custom output modes can be programmed to do special functions. Call Elsema for more details.

AC/DC Supply and Antenna

AC/DC power supply and antenna is connected via a screw-type terminal block. Do not connect the supply to the 2.5-mm coding socket since connection may damage the microcontroller.











Unique Code System

The microcontroller EEPROM allows large volume users to have a unique code. This enables Elsema to offer everyone "your own" radio control.

Case

The three or four-channel receiver is supplied without a case, this allows the receiver to be integrated according to your needs. Elsema has available a Quick Mount bracket which enables easy mounting to walls, roof etc.

Products in the Range

				
<p>GLR43301 1-Channel</p>	<p>GLR43301240 1-Channel, 240V</p>	<p>GLR43302 2-Channel</p>	<p>GLR43302240 2-Channel, 240V</p>	<p>GLR4330312, 3-Channel, 12 - 24V</p>
				
<p>GLR4330412 4-Channel, 12 - 24V</p>	<p>GLR43304240 4-Channel, 240V</p>	<p>GLR43308 8-Channel</p>	<p>GLR43308R 8-Channel Relay Output</p>	<p>GLR43302SS Receiver with 6-way female connector GLR43302SST Receiver with terminal block</p>

Technical Data

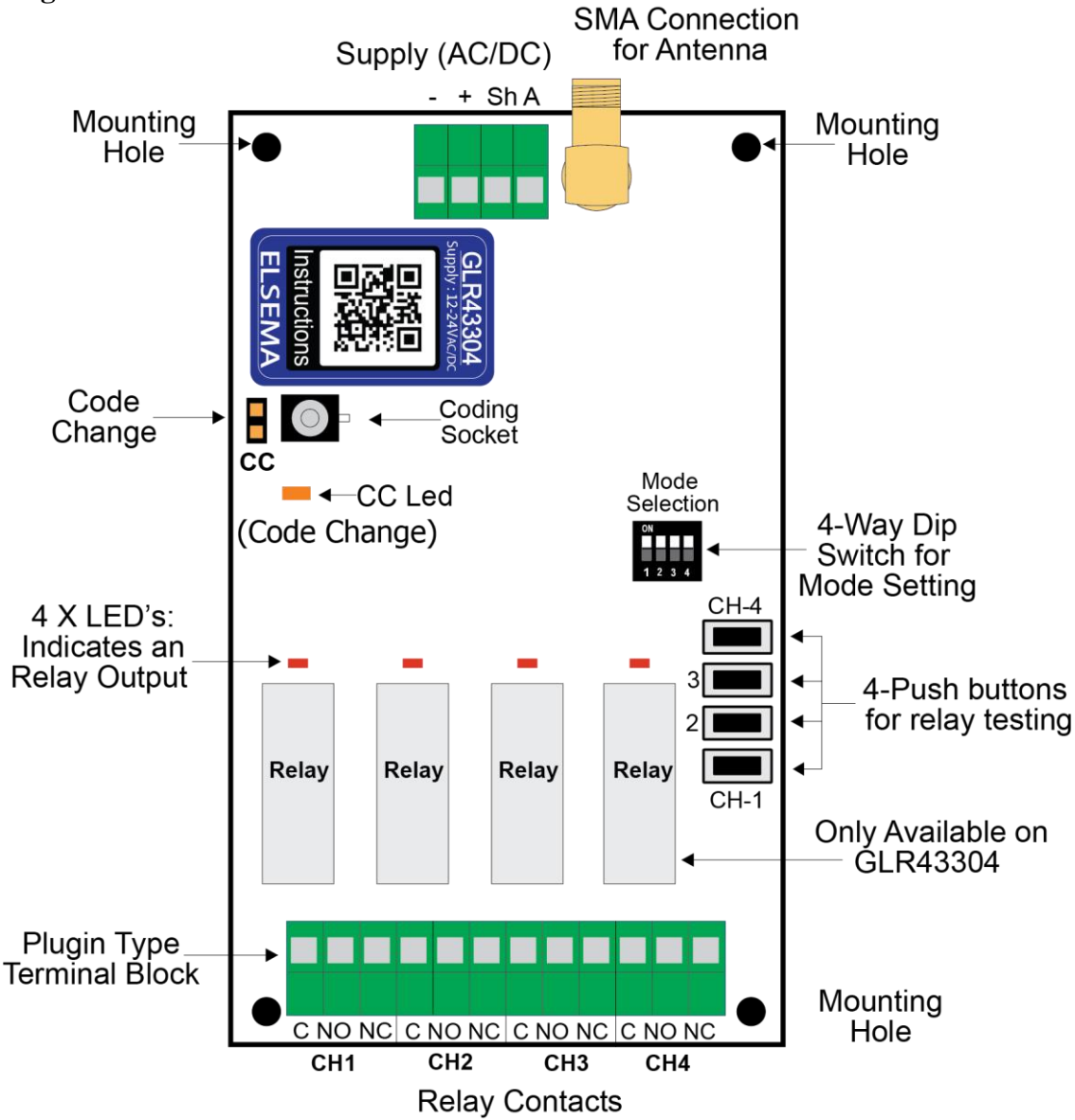
Supply Voltage	12 – 24 Volts AC or DC. Can use Elsema’s AC power pack (12PP-1000)
Current Consumption	GLR43303/4: 16mA standby at 12VDC
Receiving Freq	433.920MHz (Other frequencies available on request. Refer to the table below)
Operating Temperature Range	-5 to 50°C
Outputs	GLR43303 : Three change over relay outputs, each rated at 8 Amps/240Volts GLR43304 : Four change over relay outputs, each rated at 8 Amps/240 Volts
Connections	Screw type terminal block.
Antenna	Elsema’s ANT433MHz series antennas or piece of approximately 690 mm long wire for short range applications.
Dimensions	130 X 70 X 30 mm
Mounting hole size	3.97 mm or 5/32"
Useable Transmitters	All Elsema Type 433MHz GLT-... series

Available Frequencies

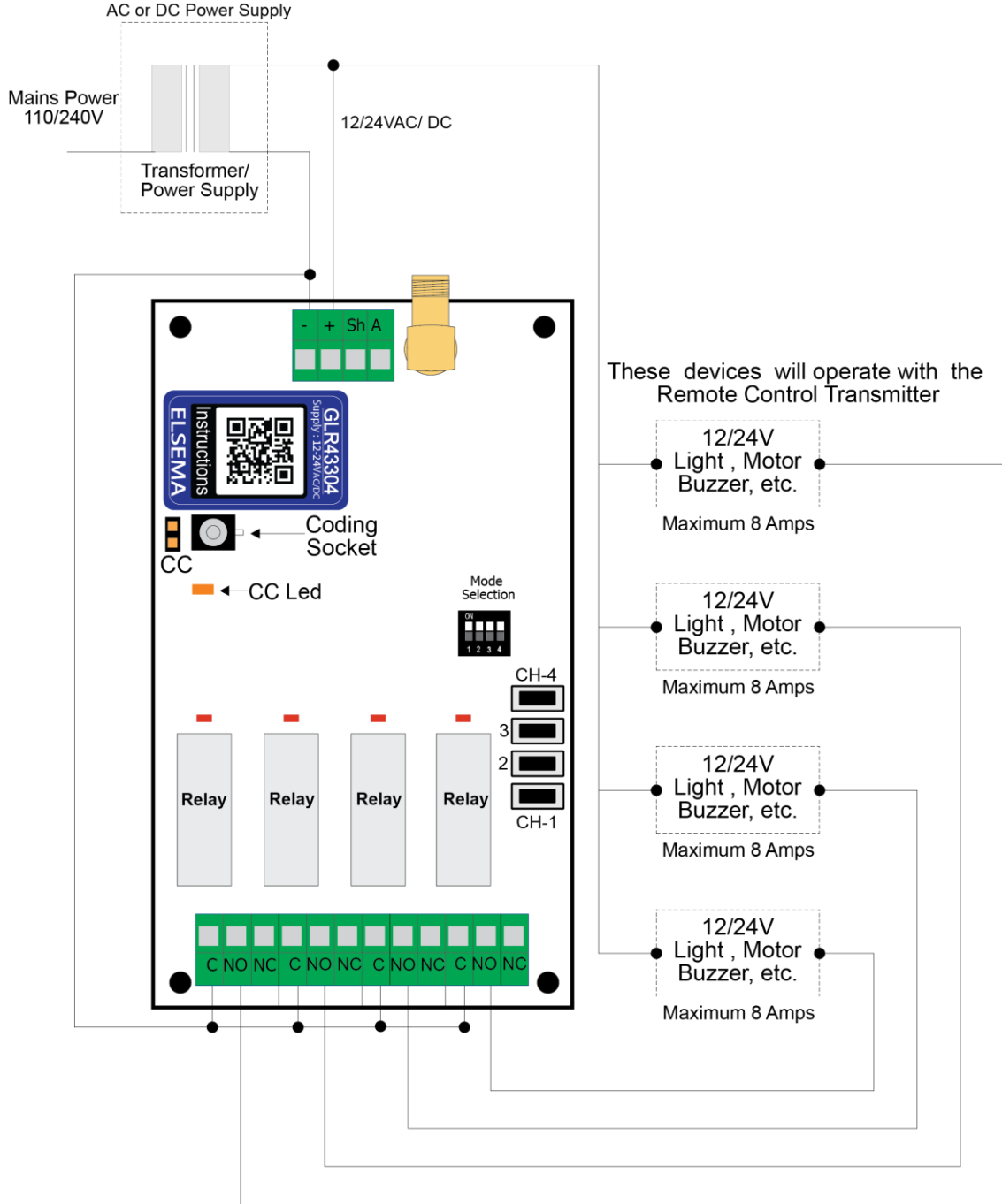
SF2	433.664 MHz
SF3	433.408 MHz
SF4	433.152 MHz
SF5	434.688MHz
SF6	434.432 MHz

Special Frequency products can be made upon request. There is a minimum quantity order of 20. Please quote Correct SF number when ordering transmitters on special frequencies.

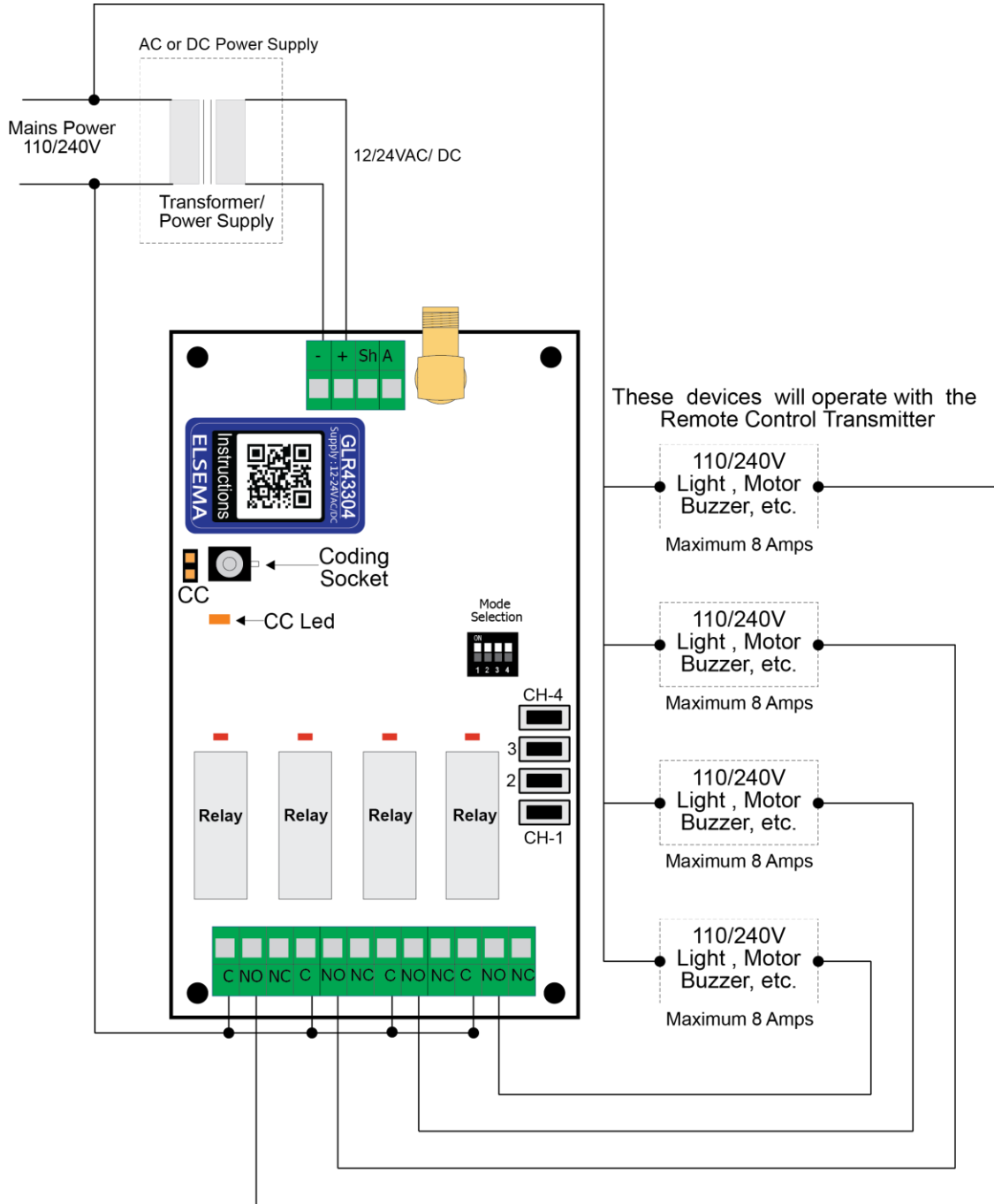
Block Diagram



GLR43303/4 12/24 VDC Application



GLR43303/4 110/240 AC Application



Manufactured by

Elsema Pty Ltd
31 Tarlington Place, Smithfield
NSW 2164, Australia.
Ph: 02 9609 4668
Website: <http://www.elsema.com>

Distributed by

