

iS270 Kit

Articulated arm gate operator

SWING GATE OPENERS

ELSEMA 
INTELLIGENT SWING 



-) Uses Elsema's MC card with Eclipse® operating system
-) Cost effective solution for automation of swing gates
-) Wide range of positional adjustment
-) Easily adjustable limit switches
-) Battery backup (iS270 E1.2)
-) Waterproof cover design
-) Soft start and soft stop
-) Easy installation

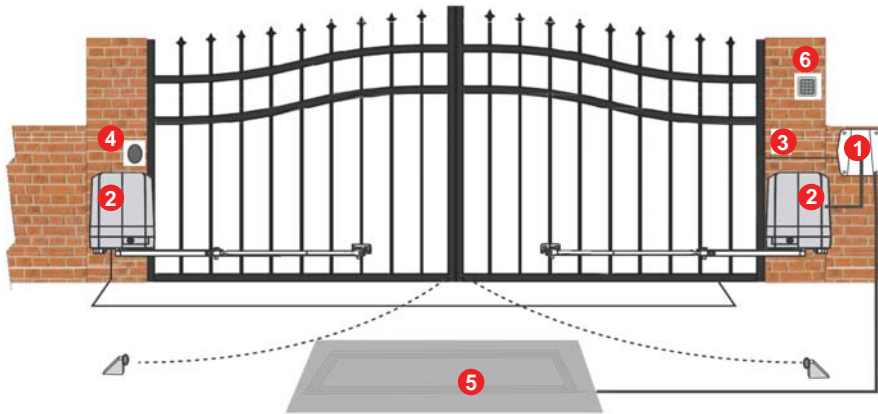


**ARTICULATED ARM
MOTOR FOR SWING
GATES**

TECHNICAL DATA

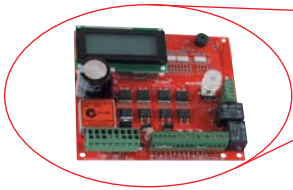
| | |
|-----------------------|---------------|
| Power supply | 240 Volts AC |
| Motor voltage | 24 Volts DC |
| Max gate weight | 250kg |
| Peak thrust | 2500N |
| Nominal input current | 4.2 Amps |
| Duty cycle | 20% |
| Operating temperature | -20°C - +50°C |

Typical installation



- 1 Intelligent control box
- 2 iS270 motor
- 3 PE1500 photo electric beam
- 4 Reflector for PE1500
- 5 Vehicle detector
- 6 Wireless Keypad

Kit contents



Built-in Eclipse® control card



iS270D dual swing motors

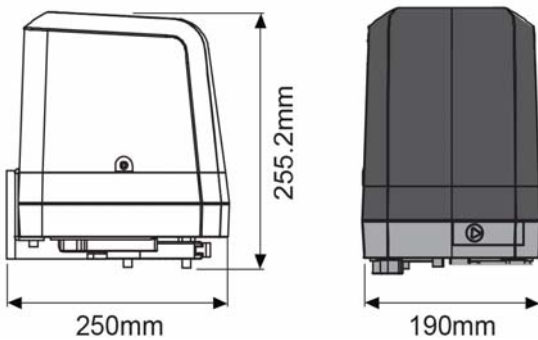


3 x Keyring remotes with frequency hopping



Long range reflector type photo electric beam

Dimensions



Ordering Code

| PART NUMBERS | DESCRIPTION |
|--------------|------------------------------|
| iS270D | Dual swing motor kit |
| iS270 | Single swing motor kit |
| E1.2 | *Optional battery backup kit |

Optional Accessories



PentaCODE® Keypad

Wireless keypad compatible with Penta receivers



GSM Gate Opener

Open your gate with your mobile phone for free!



Locking Actuator

-) 12 Volts DC
-) 50mm Stroke
-) 20mm Stainless Steel Pin



PentaFOB® Programmer

Add, edit or delete or backup individual PentaFOB® remotes



Vehicle Detector

-) 12, 24 or 240 Volts
-) 1 or 2 loops
-) Medium or high sensitivity



Flashing Lights

-) 12 or 24 Volts DC
-) Red, Blue & Amber
-) 90 Flashes \ min