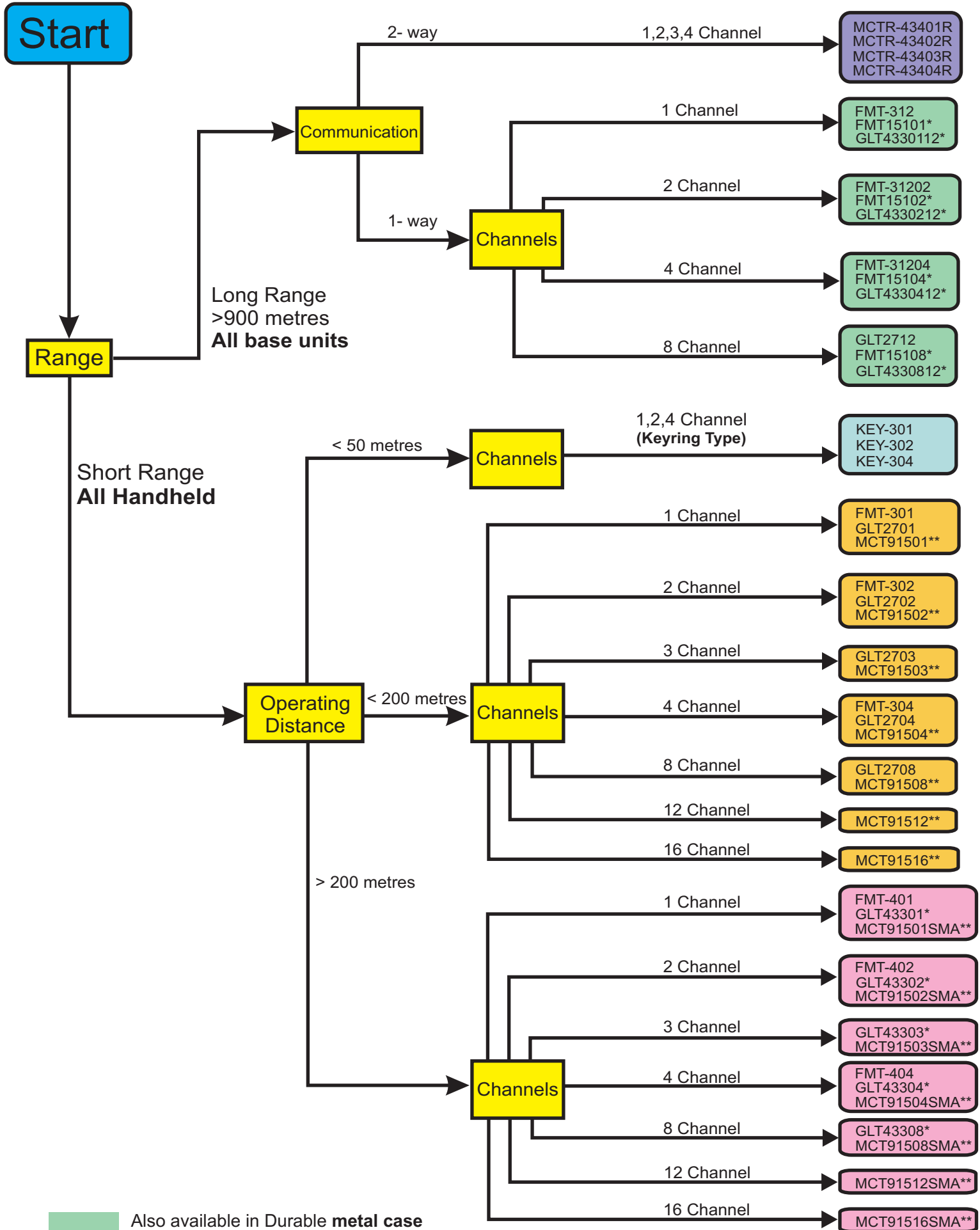


Transmitter Selection Guide



Also available in Durable **metal case**

* Excellent Interference Immunity. Recommended for **industrial application** where there is electrical generated noise. Eg. Electric motors, computers etc.

** Uses frequency hopping, allows simultaneous operation of **more than one** transmitter to operate in the same area