

SP27, SP151

Receiver Splitter Unit

Features

- 2 versions - SP27 (for 27MHz Receivers) and SP151 (151MHz)

Application

- Connect up to 4 receivers using the same antenna

SP27	27MHz
SP151	151MHz

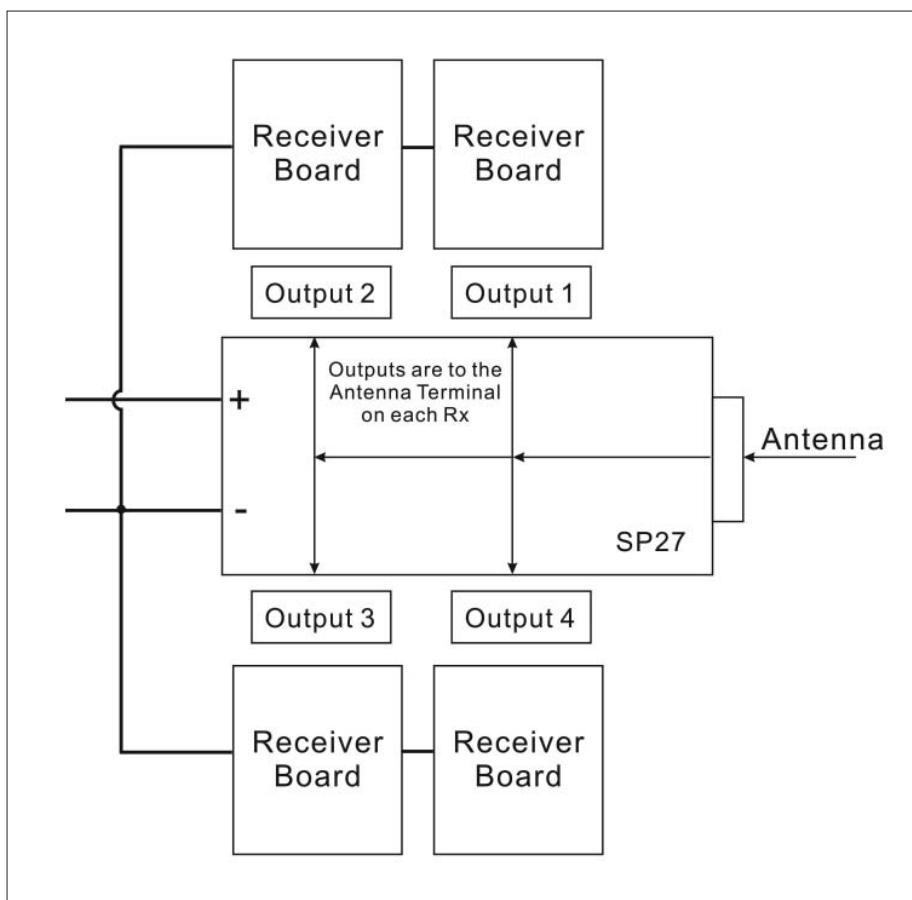


SP27, SP151

Description

There are 2 different types of Splitter units available; 27MHz and 151MHz. Up to 4 receivers can be connected. The connection diagram below is applicable to all frequencies.

Connection Diagram



Elsema Pty Ltd

3/10 Hume Rd, Smithfield
 NSW 2164
 Ph: 02 9609 4668
 Fax: 02 9725 2663
 Website: www.elsema.com

Distributed by:

Blank space for distributor information.