

FMT-101

Handheld 27MHz Remote Control Digital Transmitter with LED

Features

- Works in the 27MHz band
- Maximum reliability provided by Surface-Mount technology
- High security by 12-way code switch enabling 4096 available coding
- Durable plastic cases
- Other versions also available

Application

- A remote control switching device for various uses eg. garage doors, lights, gates, and automatic telephone dialer
- A personal security alarm activator for home safety or cash carrying businesses eg. banks, shops service stations, etc.
- A calling device for the elderly or handicapped

Description

The FMT-101 transmitter with the battery and a push button, are self-contained in an attractive **high impact black plastic case**.

The transmitter is activated by pressing a button, which is optically verified by a **LED** (Light Emitting Diode).

When the push-button is not pressed the unit requires **no power**, which means the useful life of the battery should reach its shelf life.

The superior **Frequency Modulation (FM)** has been used for improved reliability especially in electrically noisy areas.

The radio signal sent out by the transmitter is **crystal controlled** and operated within the 27MHz band. The transmitter has a digital coding system with a built-in **12-way code** switch that allows a selection of **4096 different codes**. An operating distance (in conjunction with our FMR series receivers) of **200 metres is possible**.

Operating Distance

An operating distance (in conjunction with our FMR series receivers) of 200 metres is possible.

The operating distance depends upon the receiver antenna and location. An independent test revealed the following ranges:

Range (m)	Receiver Antenna	Receiver Type
40	250mm wire	FMR-... series
Upto 200	ANT27M	FMR-... series

Range tests were done in an open area test site with line-of-sight operation and the receiver antenna wire was fixed vertically, away from any metal objects.

When operating near its range limit, some improvements may be obtained by pointing the transmitter towards the receiver. This is due to its slightly directional properties.

Accessories (available separately)

The case of the transmitter has been designed to accept Elsema’s leather covers. The leather covers have a belt clip.

The transmitter is also available without its front label (No Label, FMT-301NL). This enables the fitting of customer’s own labels.



Stylish Leather Pouch (LP)



9V Alkaline Battery (6LR61)

Pictures are for illustration purpose only; final product may differ

Products in Range

<p>FMT-302 2-channel</p>	<p>FMT-304 4-channel</p>
<p>FMT-301NL, FMT-302NL, FMT-304NL No label</p>	

REGULATORY COMPLIANCE STATEMENTS

American Users

This device complies with Part 15 of the FCC Rules. Operation is subject to the following two conditions:

- (1) This device may not cause harmful interference and
- (2) This device must accept any interference received, including interference that may cause undesired operation.

FCC Notice

This device has been tested and found to comply with the limits for a Class B digital device, pursuant to Part 15 of the FCC Rules. These limits are designed to provide reasonable protection against harmful interference in a residential installation. This device generates, uses, and can radiate radio frequency energy and, if installed and used in accordance with the instruction, may cause harmful interference to radio communications. However, there is no guarantee that interference will not occur in a particular installation. If this device does cause harmful interference to radio or television reception, the user is encouraged to try to correct the interference by one or more of the following measures:

- Reorient or relocate the receiving antenna.
- Increase the separation between the computer and receiver.
- Connect the computer into an outlet on a circuit different from that to which the receiver is connected.
- Consult the dealer or an experienced radio/TV technician for help.

Caution: Any changes or modifications not expressly approved by the grantee of this device could void the user's authority to operate the equipment.

Canadian Users

This Class [B] digital apparatus meets all requirements of the Canadian Interference-Causing Equipment Regulations.

Cet appareil numérique de la classe [B] respecte toutes les exigences du Règlement sur le matériel brouilleur du Canada.

European Users

This information Technology Equipment has been tested and found to comply with the following European directives:

- ETS 300 683
- I-ETS 300 220

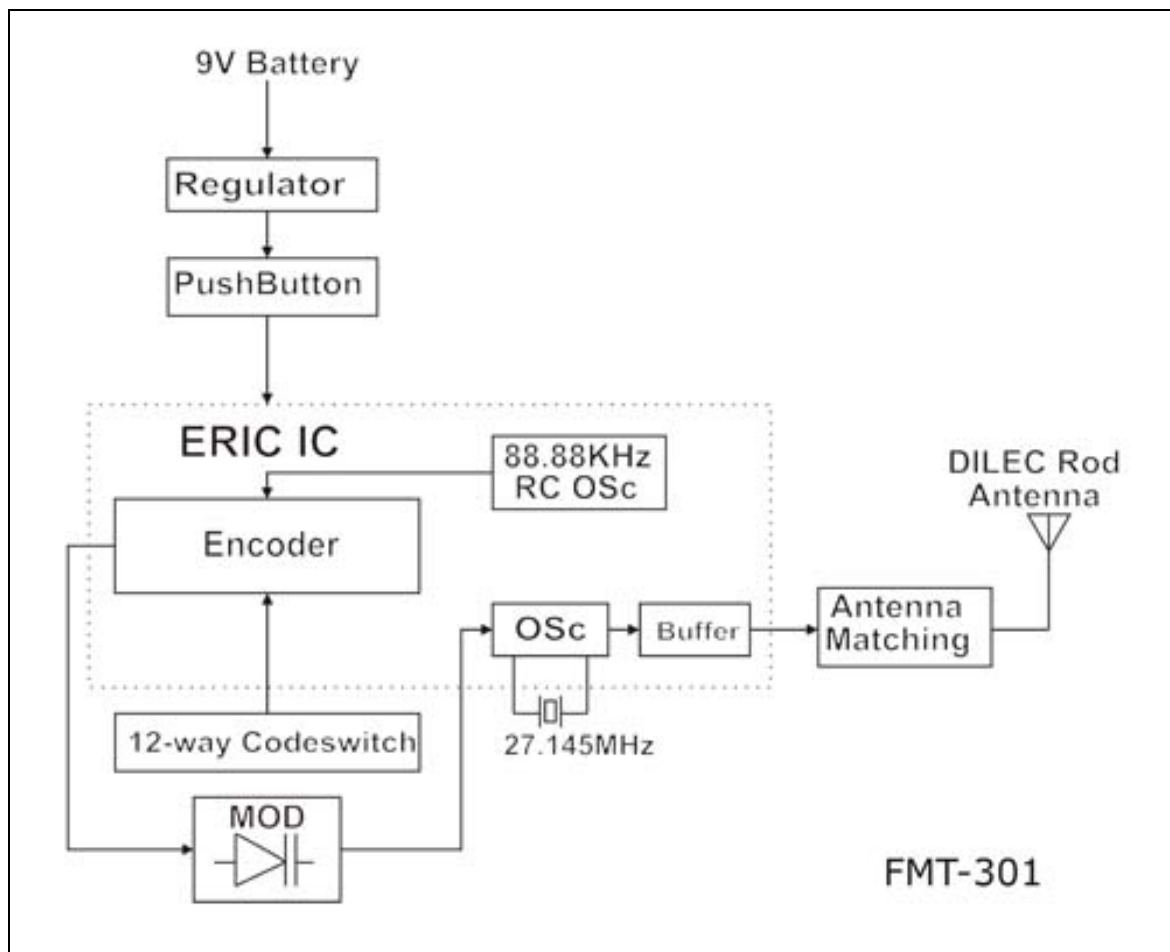
Australian and New Zealand Users

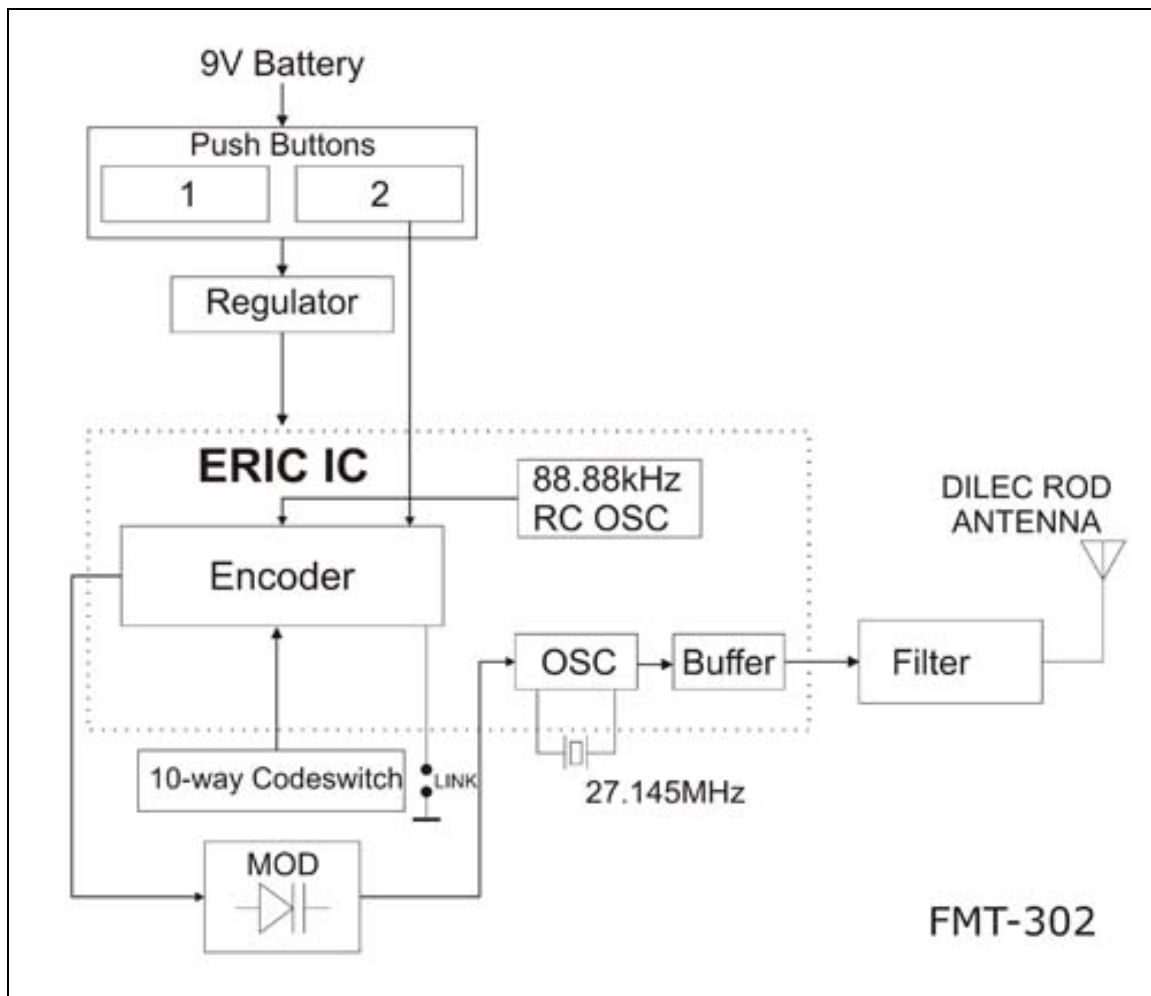
This device has been tested and found to comply with the limits for a Class [B] digital device, pursuant to the Australian/New Zealand standard AS 4268.2 (1995) set out by the Spectrum Management Agency.

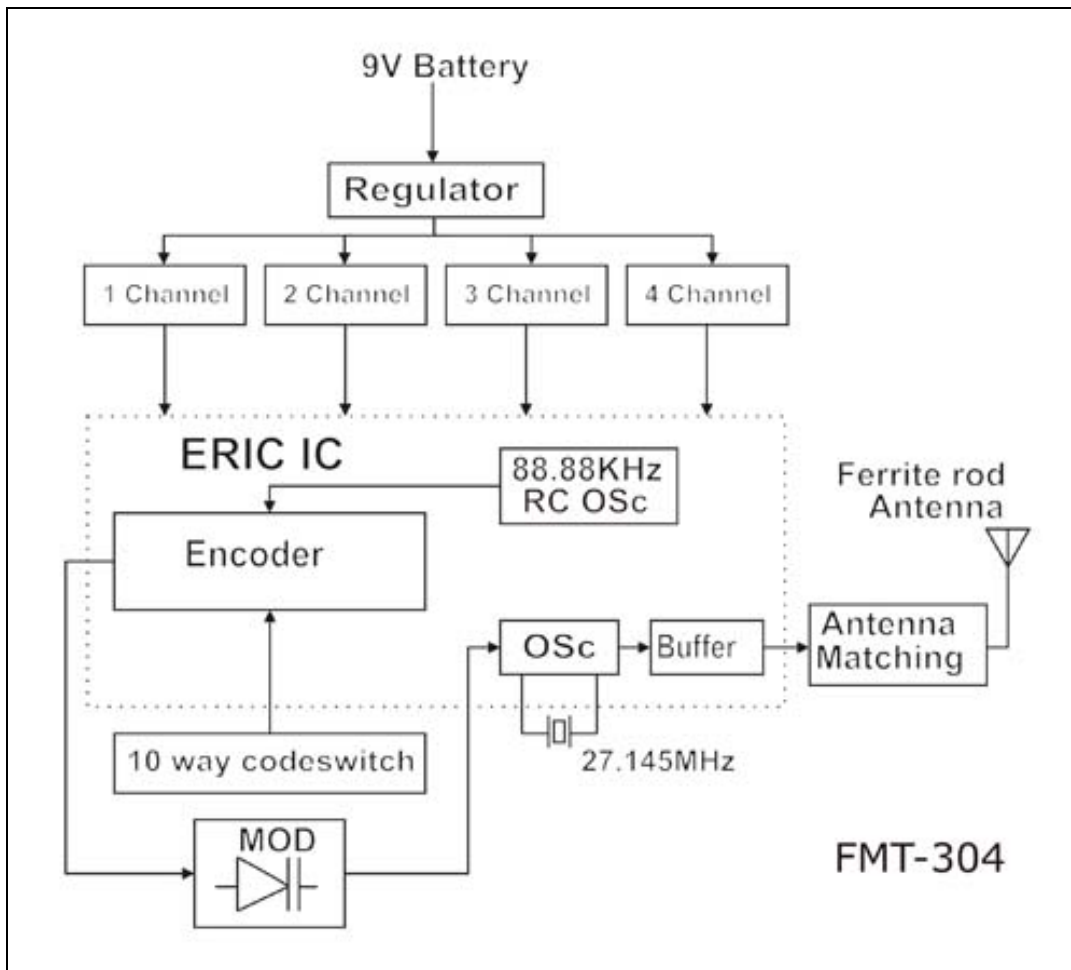
Technical Data

Power Source	9Volt Alkaline Battery
Battery Life	Carbon: 1 year shelf life; Alkaline: 2 years shelf life
Supply Voltage	6-16 Volts DC (for constant RF-output)
Current Consumption	40mA (typical) at 8Volts DC supply during transmission
Operating Frequency	27.145MHz (Other frequencies available: 27.045, 27.195 & 27.455MHz. NB. 27.455MHz is available for Europe Only)
Carrier Freq. Tolerance	Crystal controlled 30 parts per million (0-50°C)
Radiated Field Strength	70dB uV/m at 3m (± 3 dB) or 3uW
Antenna	Built-in 50mm proprietary DILEC rod
Type of Emission	Narrow-bandwidth Frequency Modulation (5K00F1D)
Bits per second	926bps
Spurious Transmission	Complies with FCC 15.227 (USA), MPT 1346 pt 4.5 (UK) and ETS 300220 (Europe)
Necessary Bandwidth	± 5.0 kHz
Digital Coding System	Onboard 12-way coding switch (4096 codes) (FMT-404: 10-way)
Dimension	96 x 55 x 20 mm
Weight	70g (excluding battery)
Useable Operating Range	200m (varies upon receiver antenna & location)
Compatible Receivers	All Elsema type FMR series

Block Diagram







Using 2 Different Receivers with FMT-302

FMT-302 can be used with a 2 channel receiver, or 2 different single channel receiver eg. FMR-212. Corresponding to the 12 DIP switches on the receiver:

Button A "ON" = Switch 11 "ON" (up)
 Button B "ON" = Switch 11 "OFF" (down)

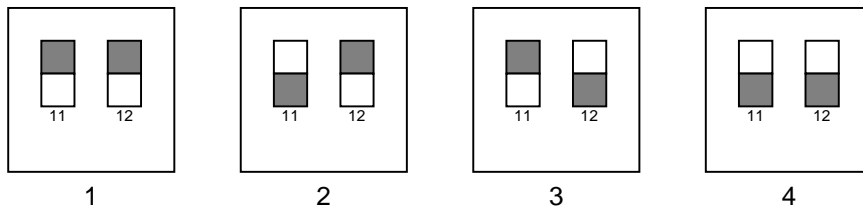
Wirelink = Switch 12 "ON" (up)
 Wirelink disconnected = Switch 12 "OFF" (down)

Make sure the 10 DIP switches of the transmitter board matches the first 10 DIP switches of the receiver. Wirelink is located on the right of the 10-DIP switches.

Using 4 Different Receivers with FMT-304

FMT-304 can be used with a 4 channel receiver, or 4 different single channel receiver eg. FMR-212. This can be setup as follows:

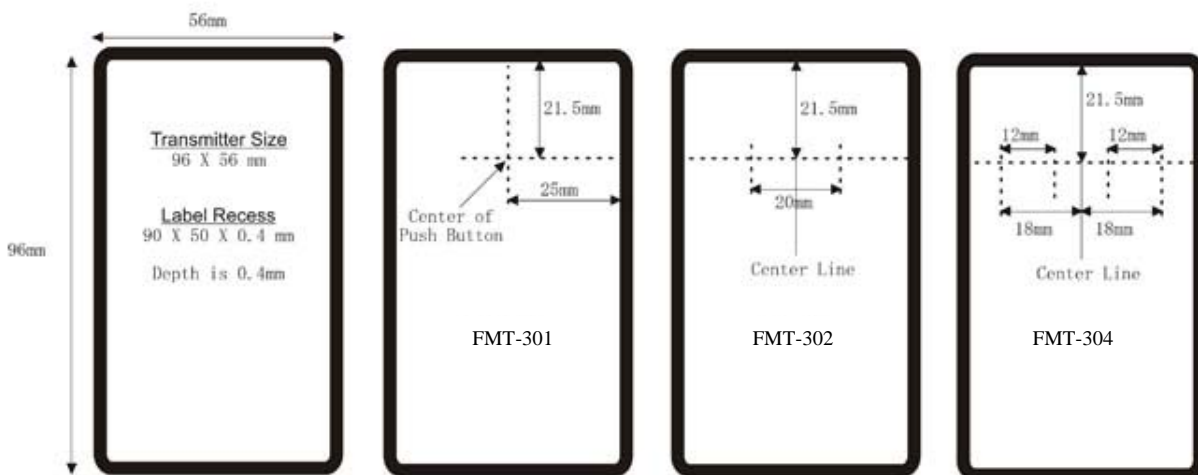
Make sure the 10 DIP switches of the transmitter board matches the first 10 DIP switches of the receiver.



The channel coding figure can be found at the back of the battery cover. The configuration of the button can be illustrated as below:

(Grey illustrates the position of the DIP switches)

Labels



Please note:

- Label size should be 0.5mm less than the above recess ie. 89.50 x 49.50 mm
- Rounding in the corners is 4.3mm (11/64") diameter
- On the 4-channel transmitter, channel 1 is at the extreme left followed by channel-2, etc.
- Recommended label material: *Polyester Autotex F200*

Customized labels can be made here:***Entech Integrated Manufacturing***

Phone: (61) 8 8373 6116

Fax: (61) 8 8373 6018

G&M Screen Printing

Phone: (61) 2 9676 4560

Fax: (61) 2 9676 4561

Permark Industries Aust (1999) P/L

Phone: (61) 2 9911 6656

Fax: (61) 2 9819 6517

Email: amrat@permark.com.au

Manufactured by

Distributed by

Elsema Pty Ltd
3/10 Hume Rd, Smithfield
NSW 2164
Ph: 02 9609 4668
Fax: 02 9725 2663
Website: <http://www.elsema.com>