

## BACH Series, SUPREG Series

Battery chargers, Power Supply with Charger

### Features

- Fast Charging.
- Filtered DC Output.
- Reverse Polarity indicator.
- Charging Indication.
- AC to DC Conversion.

### Application

- Charging back-up 12V/24V batteries.
- Supply and Battery charging.



### Description

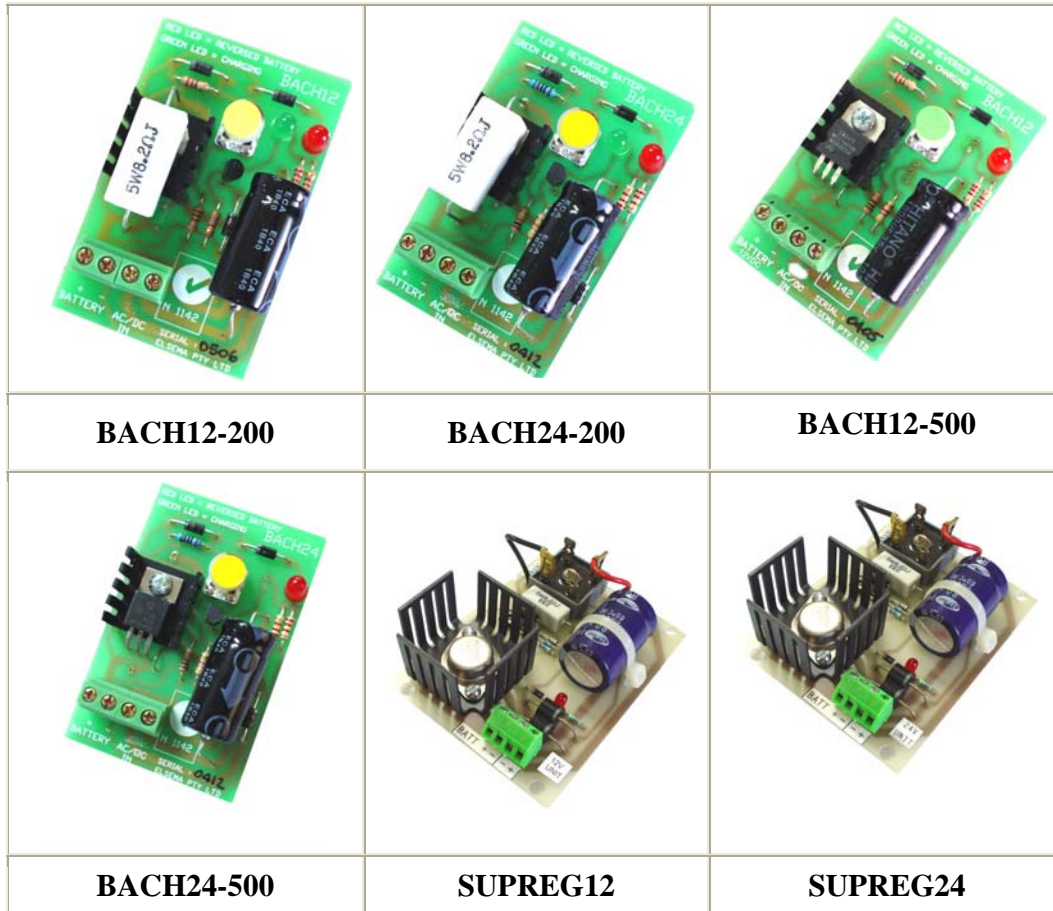
The **BACH Series** is available in **4 versions**, BACH12-200, BACH12-500, BACH24-200, BACH24-500. The descriptions of these cards are given in the table below. The BACH12-200 and BACH24-200 have two LEDs. The green led indicates charging while the **red LED** indicates **wrong battery** polarity. The battery polarity should be reversed immediately when the red led lights up.

The **trimports** are preset at the factory and **should not be adjusted**.

The **SUPREG Series** has **2 versions**. SUPREG12 and SUPREG24. The **AC input** of these cards should be connected at the **rectifier** (Refer to the block diagram). The **red LED** indicates **wrong battery** polarity. The battery polarity should be reversed immediately when the red led lights up.

<b>BACH12-200</b>	Continuous charge of 200mA, burst charge at 400mA Output preset at 13.6 VDC. Only AC to be connected to the input.
<b>BACH24-200</b>	Continuous charge of 200mA, burst charge at 400mA Output preset at 27.2 VDC. Only AC to be connected to the input.
<b>BACH12-500</b>	Continuous charge of 500mA, burst charge at 1000mA (1 Amp) Output preset at 13.6 VDC. Only AC to be connected to the input.
<b>BACH24-500</b>	Continuous charge of 500mA, burst charge at 1000mA (1 Amp) Output preset at 27.2 VDC. Only AC to be connected to the input.
<b>SUPREG12</b>	Continuous charge of 800mA, burst charge at 1.5 Amps on battery terminal. DC output supplies 2 Amps with burst supply of 4 Amps Output preset at 13.6 VDC. Only AC to be connected to the rectifier.
<b>SUPREG24</b>	Continuous charge of 800mA, burst charge at 1.5 Amps on battery terminal. DC output supplies 2 Amps with burst supply of 4 Amps Output preset at 27.2 VDC. Only AC to be connected to the rectifier.

**Products in the Range**



**BACH12-200**

**BACH24-200**

**BACH12-500**

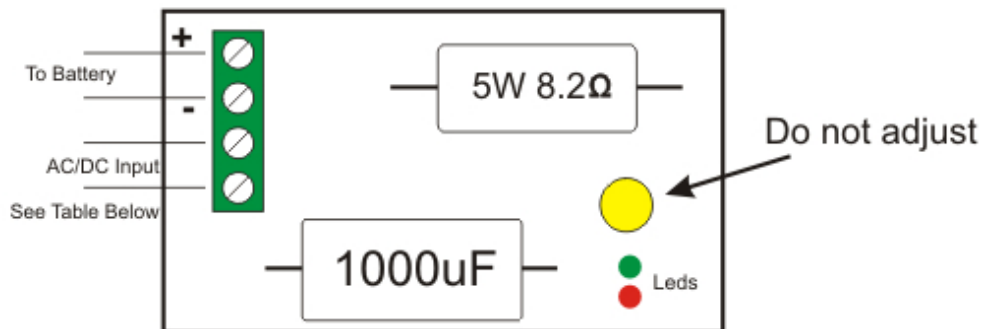
**BACH24-500**

**SUPREG12**

**SUPREG24**

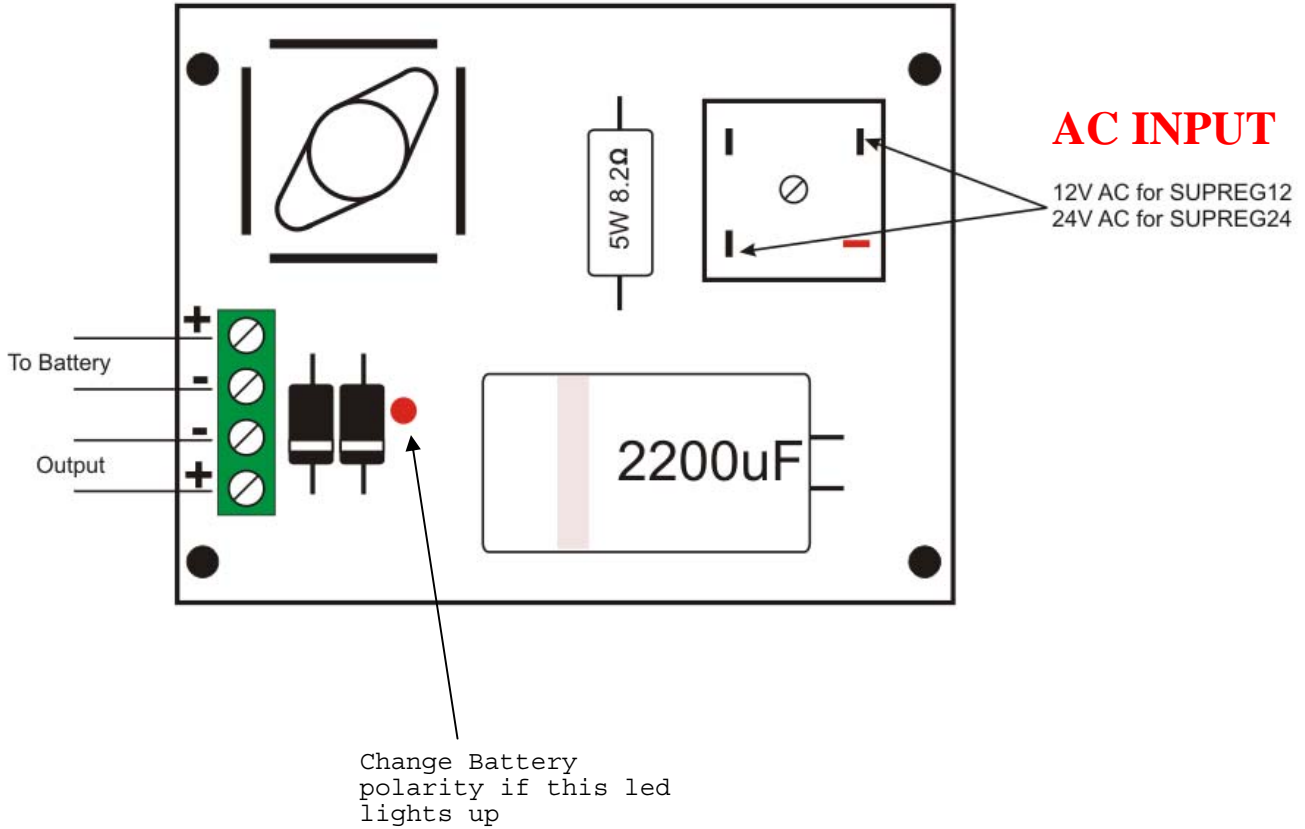
**Block Diagram**

**BACH Series**



Version	12V	24V
AC	11.8-15V	23-28V
DC	17-24V	33-35V

**SUPREG Series**



**Manufactured by**

**Elsema Pty Ltd**  
3/10 Hume Rd, Smithfield  
NSW 2164  
Ph: 02 9609 4668  
Fax: 02 9725 2663  
Website: <http://www.elsema.com>

**Distributed by :**